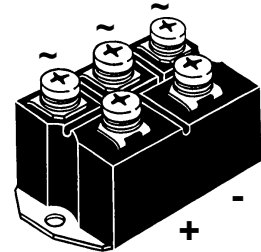
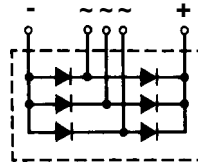


Three Phase Rectifier Bridges

VUO 82 $I_{dAV} = 88 \text{ A}$
 $V_{RRM} = 800 - 1800 \text{ V}$

V_{RSM}	V_{RRM}	Type
V	V	
800	800	VUO 82-08NO7
1200	1200	VUO 82-12NO7
1400	1400	VUO 82-14NO7
1600	1600	VUO 82-16NO7
1800	1800	VUO 82-18NO7*

* delivery time on request



Symbol	Test Conditions	Maximum Ratings
I_{dAV}	$T_C = 110^\circ\text{C}$, module	88 A
I_{dAV}	$T_A = 45^\circ\text{C}$ ($R_{thCA} = 0.6 \text{ K/W}$), module	57 A
I_{FSM}	$T_{VJ} = 45^\circ\text{C}$; $V_R = 0$	t = 10 ms (50 Hz), sine 750 A t = 8.3 ms (60 Hz), sine 820 A
	$T_{VJ} = T_{VJM}$; $V_R = 0$	t = 10 ms (50 Hz), sine 670 A t = 8.3 ms (60 Hz), sine 740 A
$\int i^2 dt$	$T_{VJ} = 45^\circ\text{C}$; $V_R = 0$	t = 10 ms (50 Hz), sine 2800 A ² s t = 8.3 ms (60 Hz), sine 2800 A ² s
	$T_{VJ} = T_{VJM}$; $V_R = 0$	t = 10 ms (50 Hz), sine 2250 A ² s t = 8.3 ms (60 Hz), sine 2250 A ² s
T_{VJ}		-40...+150 °C
T_{VJM}		150 °C
T_{stg}		-40...+125 °C
V_{ISOL}	50/60 Hz, RMS	t = 1 min 2500 V~
	$I_{ISOL} \leq 1 \text{ mA}$	t = 1 s 3000 V~
M_d	Mounting torque (M5)	5 ± 15 % Nm
	Terminal connection torque (M5)	5 ± 15 % Nm
Weight	typ.	160 g

Features

- Package with screw terminals
- Isolation voltage 3000 V~
- Planar passivated chips
- Blocking voltage up to 1800 V
- Low forward voltage drop
- UL applied

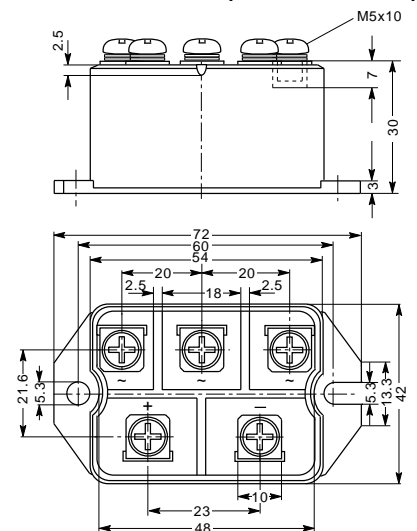
Applications

- Supplies for DC power equipment
- Input rectifiers for PWM inverter
- Battery DC power supplies
- Field supply for DC motors

Advantages

- Easy to mount with two screws
- Space and weight savings
- Improved temperature and power cycling

Dimensions in mm (1 mm = 0.0394")



Symbol	Test Conditions	Characteristic Values
I_R	$V_R = V_{RRM}$; $T_{VJ} = 25^\circ\text{C}$	$\leq 0.3 \text{ mA}$
	$V_R = V_{RRM}$; $T_{VJ} = T_{VJM}$	$\leq 5 \text{ mA}$
V_F	$I_F = 150 \text{ A}$; $T_{VJ} = 25^\circ\text{C}$	$\leq 1.6 \text{ V}$
V_{T0}	For power-loss calculations only	0.8 V
r_T	$T_{VJ} = T_{VJM}$	5 mΩ
R_{thJC}	per diode; DC current	1.1 K/W
	per module	0.183 K/W
R_{thJK}	per diode; DC current	1.52 K/W
	per module	0.253 K/W
d_s	Creeping distance on surface	10 mm
d_A	Creepage distance in air	9.4 mm
a	Max. allowable acceleration	50 m/s ²

Data according to DIN/IEC 747 and refer to a single diode unless otherwise stated. IXYS reserves the right to change limits, test conditions and dimensions.